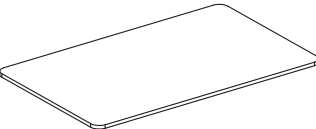

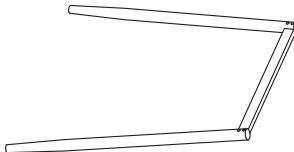
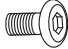
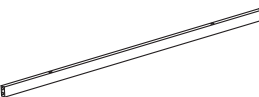
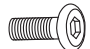

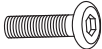
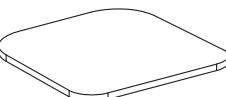

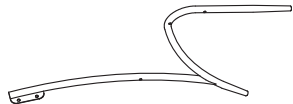

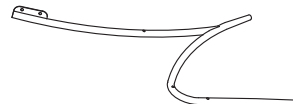
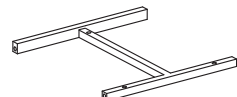
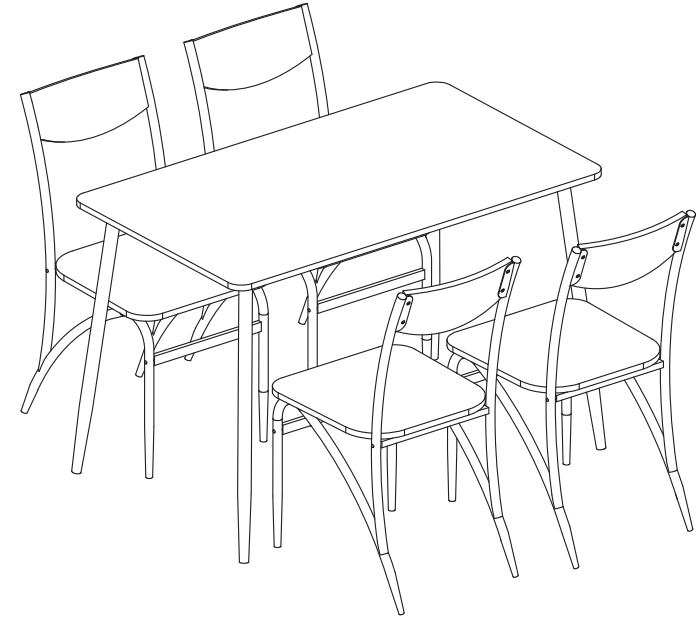


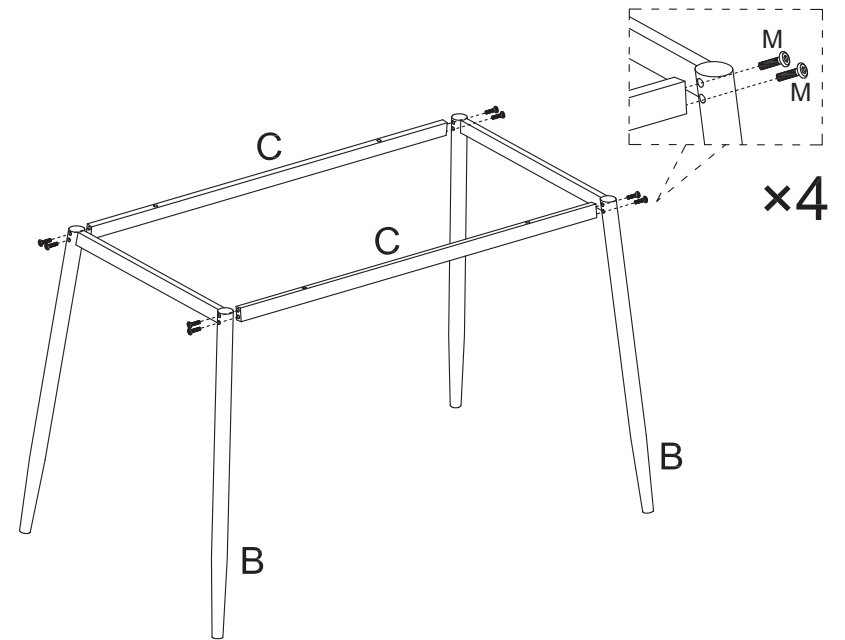
A		1PC	I		4PCS
B		2PCS	J	 M6×12mm	16PCS
C		2PCS	K	 M6×28mm	12PCS
D		4PCS	L	 M6×40mm	24PCS
E		4PCS	M	 M6×48mm	12PCS
F		4PCS	O	 M4	1PC
G		4PCS			
H		4PCS			

ASSEMBLY INSTRUCTION

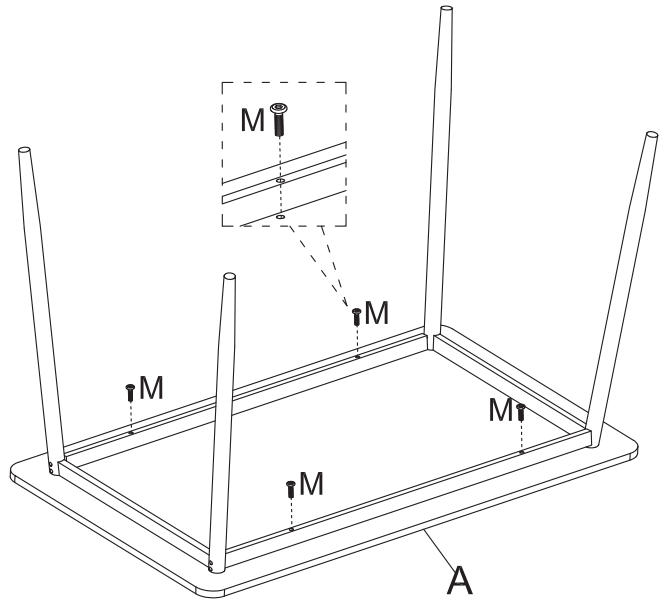
*** DO NOT TIGHTEN SCREWS UNTIL COMPLETELY ASSEMBLED***



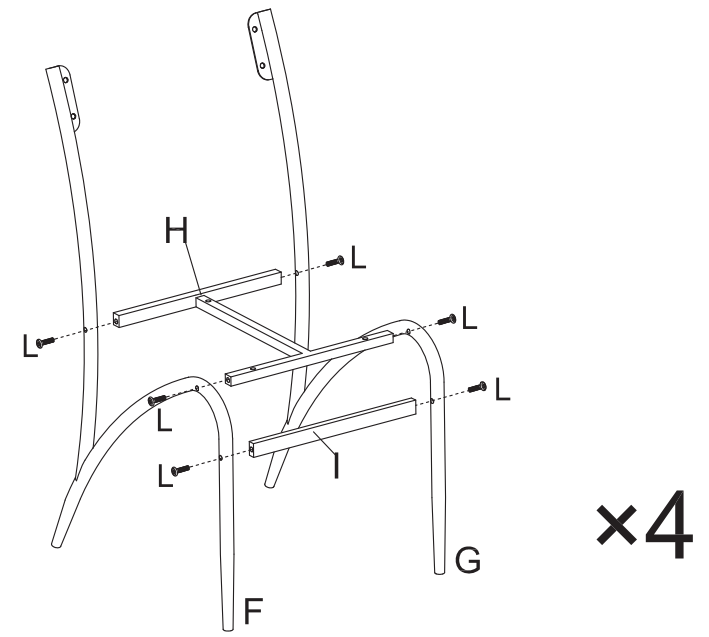
1 Step 1-Use screws (Part M) to connect table feet(Part B) and cross-bars(Part C) as a table metal frame



2 Step 2-Use screws (Part M) to connect the table metal frame to the table top(Part A)



3 Step 3-Use screws (Part L) to connect chair feet(Part F/G) and cross-bar(Part I/H) as a metal chair frame



4 Step 4-Use screws (Part K) to connect the chair metal frame to the chair seat (Part E)
Use screws (Part J) to connect Backrest (Part D) to the chair metal frame

